

ULS-50 Single Point Level Switches

- ▶ General purpose or intrinsically safe
- ▶ All-polypropylene or -Teflon® wetted materials
- ▶ Submersible IP68 construction for tanks or sumps

Gems ultrasonic switches are an excellent choice for a broad range of liquids including those with light coating or scaling type characteristics. Liquid examples include xylene, chromic acid and light cooking oils.

FET or relay output provides a reliable switch interface with remote devices such as a PLC, SCADA or alarm. For maximum flexibility, the sensor is offered in general purpose and intrinsically safe versions with two probe lengths and polypropylene or PFA Teflon® materials.

Specifications

Accuracy	±1mm
Repeatability	±0.5mm
Frequency	1.5 MHz
Supply Voltage	12 to 36 VDC
Pressure	150 psi @ 77°F (10 bar at 25°C)
Temperature	-40°F to +194°F (-40°C to +90°C)
Mounting	0.75" NPT
Sensor Rating	NEMA 6 (IP 68)
Consumption	Relay: 25mA
Switch Output	Selectable NO or NC
Cable	8 ft., 22 AWG cable, either PP or PFA ¹
CSA (IS) Approval	Class I, Grp A, B, C & D Class II, Grp E, F & G Class III
CE Compliance	EN 50082-2 immunity EN 55011 emissions

Notes:

1. Jacket material will match body material selected.

How to Order

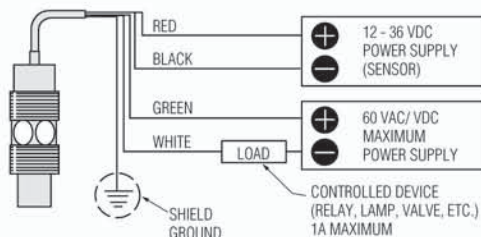
Specify part number based on output, material and length.

Output	Material	Sensor Length	Intrinsically Safe	Part Number
5mA (dry) 19mA (wet)	Polypropylene	0.7"	Yes	195050 ⚡
		2.1"	Yes	195051
	PFA Teflon®	0.7"	Yes	195052 ⚡
		2.1"	Yes	195053
Relay, 1A, Selectable N.O. or N.C.	Polypropylene	0.7"	No	195054 ⚡
		2.1"	No	195055
	PFA Teflon®	0.7"	No	195056 ⚡
		2.1"	No	195057 ⚡

⚡ – Stock Items

Wiring Direct to a Load

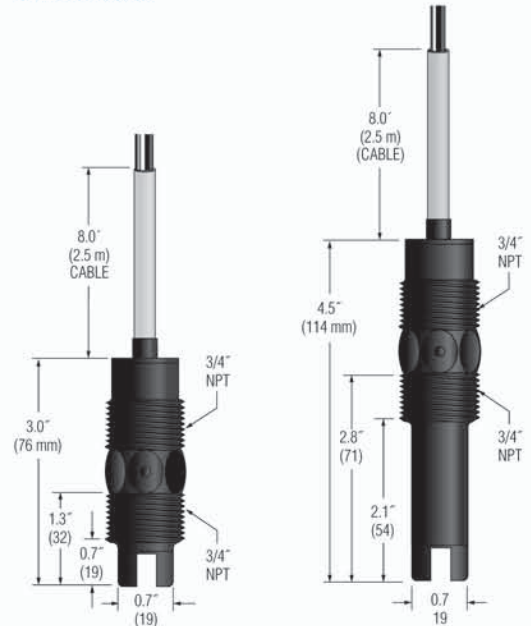
N.O. Operation (Relay Signal Output)



This is the same as the wiring for normally open operation, *except the polarity of the red and black connections to the sensor is reversed*. The other connections remain the same. This method will turn the load on when the sensor is wet.



Dimensions



Wiring

